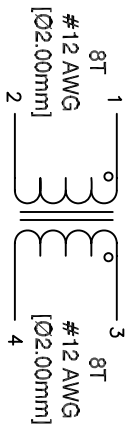
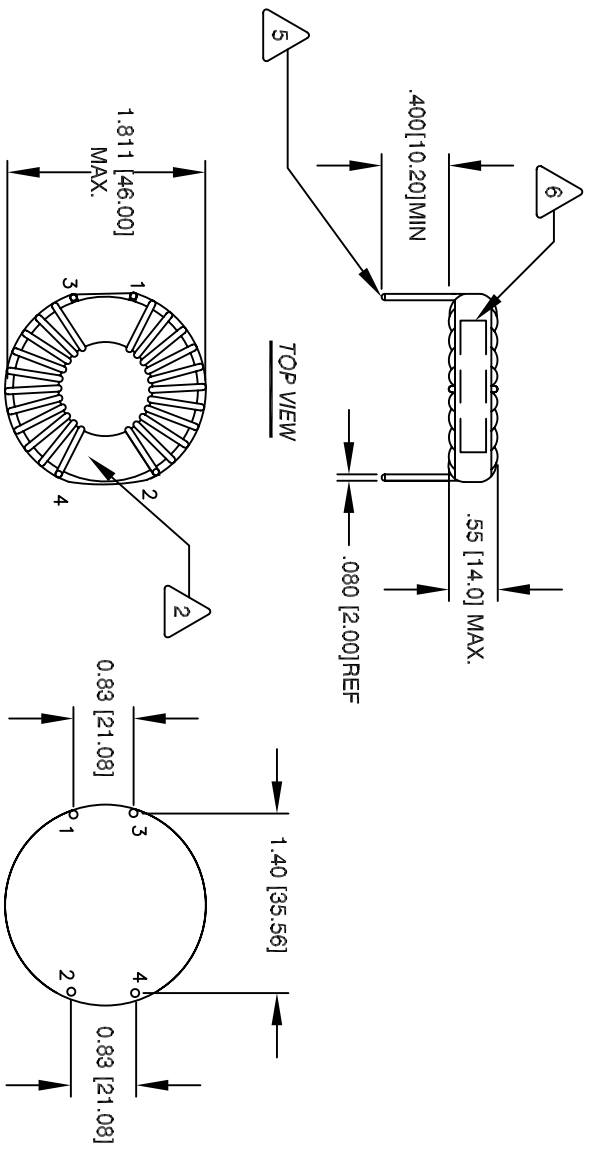


The information contained in this drawing is the sole property of CMS Coil Winding Specialist. Any reproduction in part or whole without written permission of CMS Coil Winding Specialist is prohibited.



SCHEMATIC

- 7 BUILT TO ROHS COMPLIANCE AN LEAD FREE  
WHERE SHOWN, USING A PERMANENT MARKING METHOD  
MARK PART NUMBER AND REVISION IN APPROX  
WRAP INDUCTOR WITH TAPE, (PER NOTE 2)
  - 6 TO THE CORE  
MUST REST FLAT ON PCB. LEADS MUST BE TANGENT  
FLUSH WITH THE COIL EDGE, AS SHOWN (I.E. COIL  
REMOVE INSULATION AND TIN LEADS APPROX. 0.40 INCH
  - 5 CORE AND EVENLY SPACED. NOTE POLARITY  
WIND 8 TURNS, # 12 AWG. SINGLE LAYER ON EACH SIDE TO  
CONSTRUCTION:  
OPERATING RANGE: -40 °C to 85 °C  
TO INSURE INTERGRITY OF WINDING SEPARATION  
HI-POT TEST FOR INTERWINDING ISOLATION =250VDC  
POWER LOSS = 6.4 W MAX.@ 40A/COIL  
DCR = 2 MOHMS MAX./COIL, MEASURED USING QUADTECH 2200  
L = 550 uH NOM/COIL, (1KHZ, 1Vrms)  
SPECIFICATIONS @ 25 °C :
  - 3 OUTER WRAP: .3M #69 OR EQUAL  
WIRE: UL RECOGNIZED CLASS 180°C RATING MAGNET WIRE OR HIGHER  
CWS BYEMARK OR OTHER APPROVED PART  
CORE: COATED FERRITE TOROID, HIGH PERM MNZN
  - 2 BUILD TO CLASS B (130°C) INSULATION  
1 MATERIAL: UL RECOGNIZED 94V-0 FOR FLAMMABILITY
- NOTES: UNLESS OTHERWISE SPECIFIED, READ FROM BOTTOM UP.



REVISION HISTORY		SIGN & DATE	
REV	ECN	BY	DATE
A		TK	8/23/05
B		KLC	3/27/09

REV	DESCRIPTION	BY	DATE
A	PRODUCTION RELEASE	TK	8/23/05
B	REVISED DIMENSION AND UPDATE DWG	KLC	3/27/09

QTY	CODE IDENT	MFG. P/N	DESCRIPTION	ITEM NO.
			<b>PARTS LIST</b>	
			<b>COWS COM, INC</b>	
			<b>CWS Coil Winding Specialist</b>	
			353 W Grove Ave	
			Orange, CA 92865	

UNLESS OTHERWISE SPECIFIED	DRAWN	DATE	TITLE
DIMENSIONING AND TOLERANCE PER ANSI Y14.5M AND [UNITS/METERS]	TK	8/23/05	Inductor Common Mode
TOLERANCE INCHES: .XXX=±.010 .XX=±.020 .X=±.030	ENGR.	8/23/05	550uH 40A
TOLERANCE METRICS: .XXX=±.254 .XX=±.51 .X=±.51	APPR.	8/23/05	C-36A29-03

DO NOT SCALE DRAWING	SCALE	SIZE	DWG. NO.	REV
	1 = 1	B	C-36A29-03	B